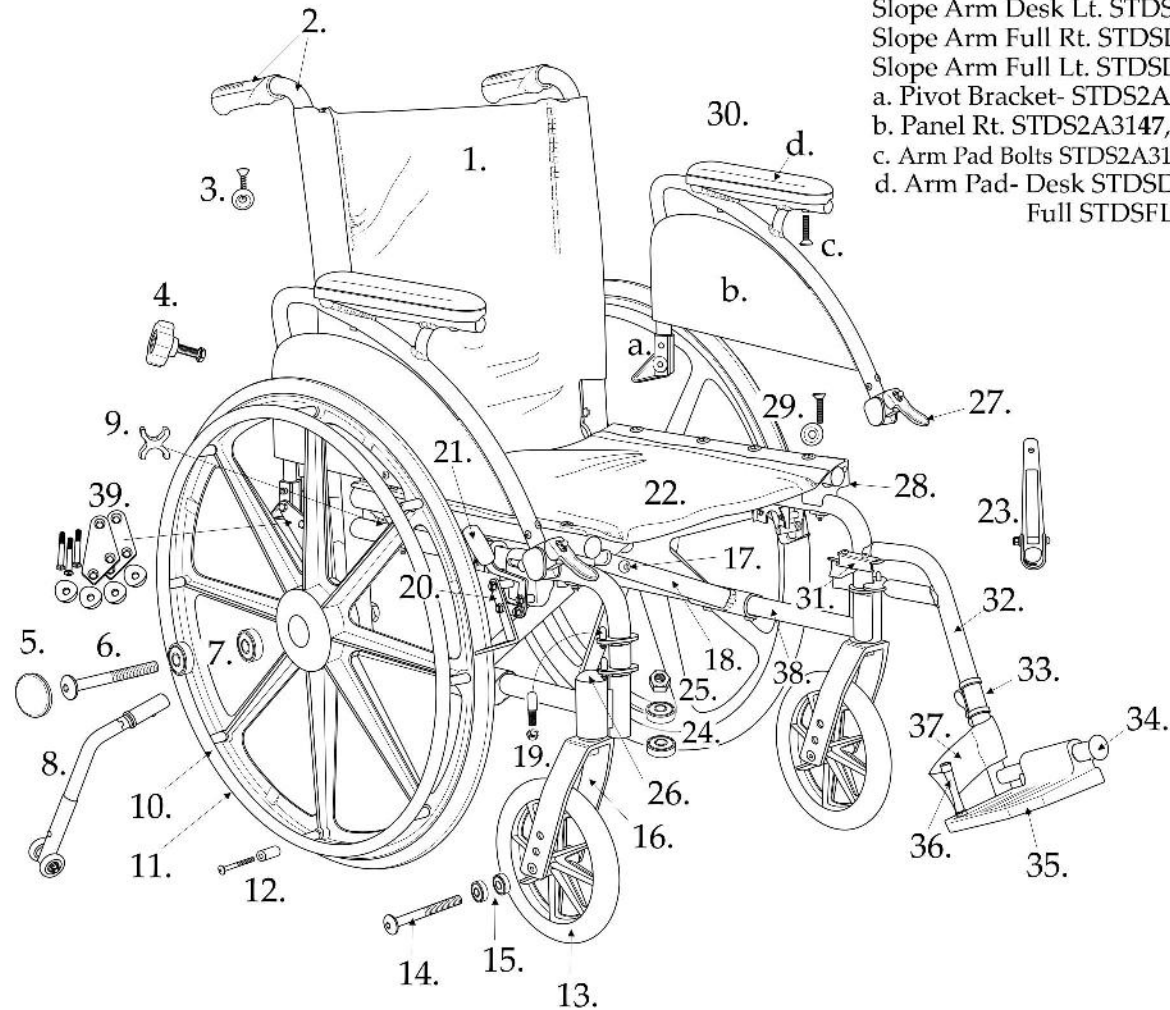


Viper

1. Back Upholstery- 16" STDS2363BLK
18" STDS2359BLK, 20" STDS2361BLK
2. Backcane & Handgrip- STDS2A3157
Handgrip Only- STDS871
3. Back Upholstery Screw- STDS001071
4. Back Height Adjustment Knob- STDS895
5. Rear Wheel Hub Cap- STDS1050
6. Rear Axle Bolt- STDS1005
7. Rear Wheel Bearings- STDS1012
8. Anti-tippers (pair)- STDS807N
9. Seat Saddle- STDS4058
10. Rear Wheel/ Blk. Hand rail- STDS1006
Alum. Hand rail- STDS1001
11. Hand rail Blk.- STDS004012
Aluminum- STDS004011
12. Handrail Screws & Spacers- STDS1073
13. Front Caster- STDS1002
14. Front Axle Bolt- STDS1002-1
15. Front Caster Bearing- STDS1011
16. Front Caster Fork- STDS3003
17. Frame Hinge Bolt- STDS001061
18. Cross Frame 16"-STDS2A3116
18"-STDS2A3118, 20"-STDS2A3120
19. Hanger Pin- STDS1069
20. Brake- STDS4025R (Right) STDS4025L (Left)
21. Rubber Brake Tip- STDS4011
22. Seat Upholstery 16"- STDS2356BLK
18"- STDS2358BLK, 20"- STDS2360BLK
23. Cross Frame Assist 16"- STDS1M4016,
18"- STDS1M4018, 20"- STDS1M4020
24. Fork Stem Bearings- STDS1060
25. Fork Stem Lock Nut- STDS001045
26. Fork Stem Bearing Cap- STDS1051
27. Arm Release Lever- STDS4012-3
28. Seat Rail Bracket, Plastic Rt.- STDS2A3133
Lt.- STDS2A3134
Seat Rail Bracket, Alum. Rt.- STDS2A3141
Lt.- STDS2A3140
29. Seat Upholstery Screw and washer- STDS001072



30. Desk Arm Rt. STDSDDAVR, Lt. L
Full Arm Rt. STDSDFAVR, Lt. L
Adj. Desk Arm Rt. STDSADFAVR, Lt. L
Slope Arm Desk Rt. STDSDDAVR-SA
Slope Arm Desk Lt. STDSDDAVL-SA
Slope Arm Full Rt. STDSDFAVR-SA
Slope Arm Full Lt. STDSDFAVL-SA
- a. Pivot Bracket- STDS2A3143
- b. Panel Rt. STDS2A3147, Lt. 48
- c. Arm Pad Bolts STDS2A3142, STDS002001
- d. Arm Pad- Desk STDSDSKNB
Full STDSFLNB

31. Footrest hanger Latch- STDS00004R (right) L (Left)
32. Footrest Hanger- STDS00202R (right) L (Left)
33. Footrest Adj. Lever- STDS3J4502
34. Footrest Bumper- STDS1026
35. Footplate- STDS00004P- Plastic or A -Aluminum
36. Heel Strap Post- STDS1M4047
37. Heel Strap- STDS831 (pair)
38. Side Frame- STDS2A311R (right), L (left)
39. Rear Armrest Bracket- STDS2AVFRB

1. Back upholstery -STDS2353BLK -12"
STDS2355BLK- 14"
2. Handgrip -S1DS871
3. Desk length arm pad -STDSDSKNB
4. a. Arm pad screws -STDS002001
b. Arm panel Left -STDS2A3440
Arm panel Right -STDS2A3441
5. Seat upholstery screw/washer -STDS001072
6. Arm release lever -STDS4012-3
7. Seat rail bracket, Aluminum -STDS2A3141 (right) or STDS2A3140 (left)
8. Seat saddle -STDS4058
9. Dust cap, fork stem -STDS1051
10. Fork stem lock nut -STDS2A3401
11. Fork stem bearings -STDS2A3402
12. Front fork -STDS2A3403
13. Caster -STDS3021
14. Seat upholstery -STDS2352BLK -12"
-STDS2354BLK -14"
15. Frame hinge bolt -S1DS001061
16. Crossframe 12" -STDS2A3412 14" -STDS2A3414
17. Brake tip -STDS2A3404
18. Brake assembly, Rt. STDS2A340R, Lt.-0L.
19. Crossframe assist, 12"-S1DS2A3424 14"-S1DS2A3422
20. Caster bearings -STDS1011
21. Front axle bolt- STDS2A3423
22. Handrail spacer/screw -STDS1073-20
23. Rear wheel bearings -STDS2A3410
24. Rear axle bolt -STDS2A3411
25. Rear wheel dust cap -STDS1050
26. Handrail -STDS2A3413
27. Rear wheel assm. -STDS1025
28. Back height adjustment knob -STDS895
29. Back upholstery screw/washer -STDS001071
30. Frame bumper -STDS000026
31. ELR release lever, right -STDS00344R, left -4L
32. Angle adjustment lever only -STDS1062,
with hardware -S1DS3011
33. ELR hanger arm, Right -STDS2A345R or 5L for Left
34. ELR height adj. bolt -STDS001051
35. Footplate -S1DS003441
36. Footrest bumper -STDS1026
37. Calf pad -STDS2A3442
38. Side Frame Right- S1DS2A341R
Left- S1DS2A341L
39. Handlebar and Grip- S1DS2A3157
40. Anti-Tipper (set)- STDS814

Desk Arm Assm.
STDSDDAJVL -Left
& R -Right

